



Filter Excellence

# FILTER EXCELLENCE CO., LTD

TEL: 06-2018865 / FAX: 06-2018880

Web site: www.filterexcellence.com

E-mail: sales@ftexc.com

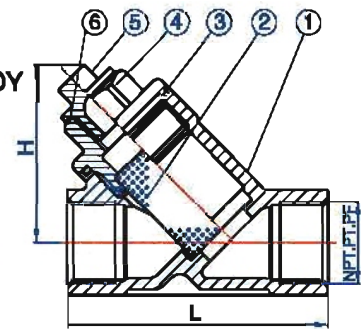


## 特徵 FEATURES

- 管螺紋按照 PIPE THREAD IN ACCORDANCE: NPT, BSPT, DIN259, DIN2999, ISO 228 CLASS A
- 精密鑄造 INVESTMENT CASTING BODY
- CLASS 800 W.O.G.
- 最大工作溫度 230°C MAXIMUM WORKING TEMPERATURE 230°C

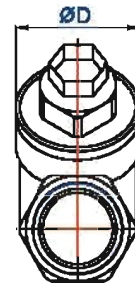
## 牙口Y型過濾器

Y STRAINER CLASS 800 SCREWED END



## 尺寸表 DIMENSIONS

SIZE		L	H	D
DN	NPS			
8	1/4"	65	45	31
10	3/8"	65	45	31
15	1/2"	65	45	31
20	3/4"	80	53	36
25	1"	90	68	45
32	1 1/4"	105	72	50
40	1 1/2"	120	80	59
50	2"	140	97	75
65	2 1/2"	170	112	85
80	3"	195	129	111



## 材質表 MATERIALS LIST

NO.	部件名稱 PART NAME	材料 MATERIALS
1	閥體 BODY	CF8M
2	過濾網 SCREEN	SUS304
3	大薄片 GASKET	PTFE
4	閥蓋 CAP	CF8M
5	塞環 STOPPER	CF8M
6	墊片 GASKET	PTFE